

TECHNICAL BULLETIN

6 Ways L Band Power Splitter

E14077-01-05

Rev.A

Features

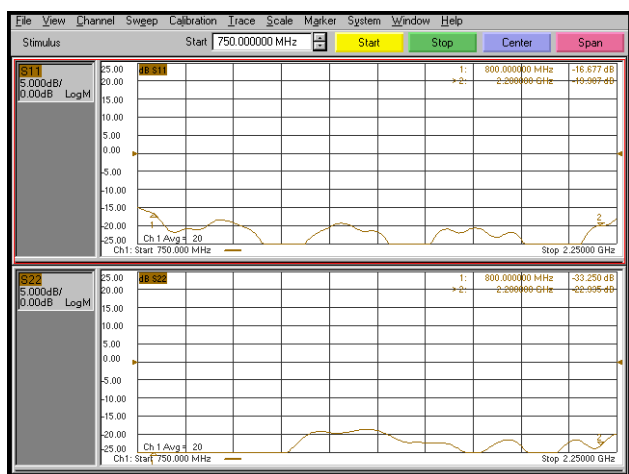
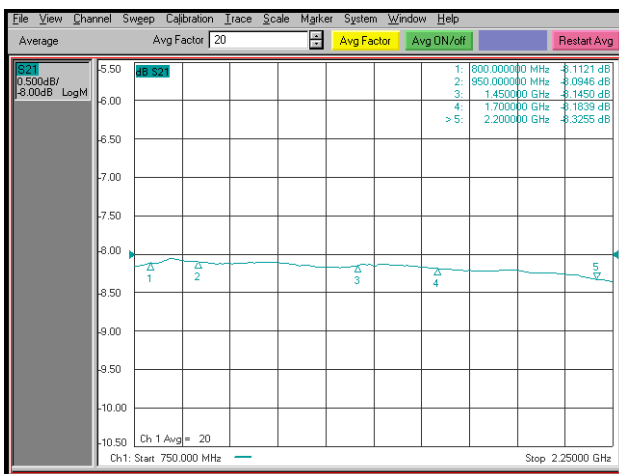
- Wideband Power Splitter/Combiner
- Low amplitude and phase mismatching
- low Insertion loss

Typical Applications

- Telecom Infrastructure
- Test Equipment
- Military & SatCom

Performances

Parameter	Units	Min	Typ	Max	Remarks
Frequency range	MHz	800		2200	Full performances
Number of channels			6		
RF input level (CW)	W			1	
Operation Mode					CW/Pulse
Insertion loss	dB		8.3	9	
Insertion loss matching overall channels	dB		+/-0.1	+/-0.2	
Insertion loss Slope	dB		0.5		
Insertion Loss Ripple	dB		0.2		
Phase matching overall channels	Deg		+/-4.0	+/-6.0	
Return loss common port	dB	15			
Return loss splitter ports	dB	18			
Isolation (near outputs)	dB	20			
Operating Temp. range	°C	0		+50	
Storage Temp. range	°C	-40		+70	
RF connectors					Sma F
Dimensions					See outline



Typical Insertion/Return Loss at 25°C

ELMACOM srl

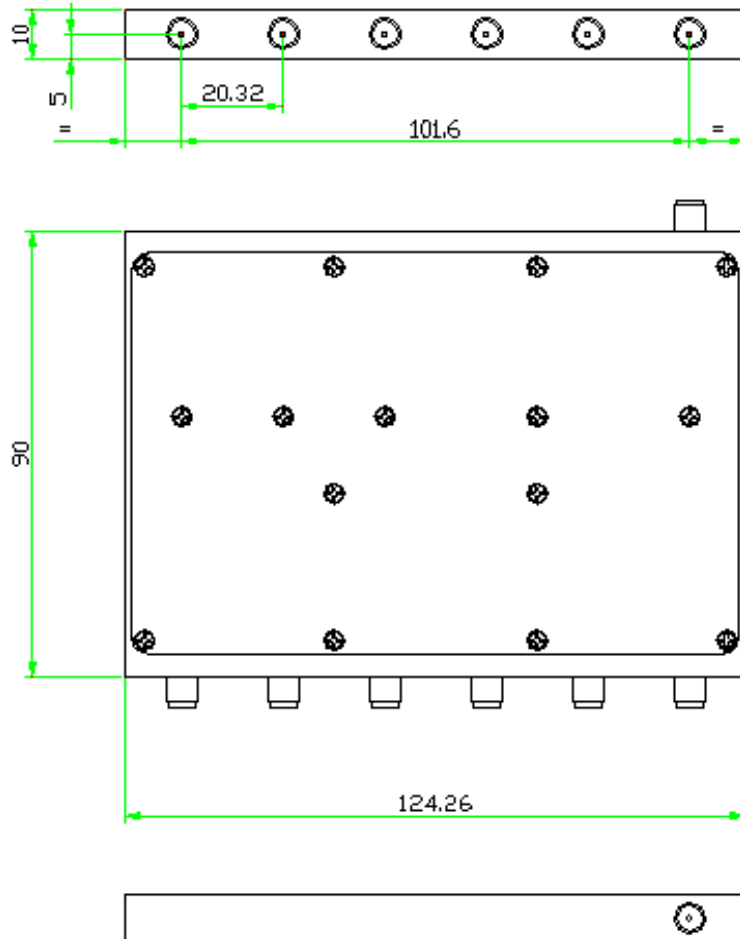
Via delle Genziane snc 00012 Setteville di Guidonia, Rome - Italy

Phone: +39 (0774) 379296 Fax: +39 (0774) 353442

E-mail : info@elmacom.com Website : www.elmacom.com



OUTLINE DRAWING



Dimensions in mm

ELMACOM srl

Via delle Genziane snc 00012 Setteville di Guidonia, Rome - Italy

Phone: +39 (0774) 379296 Fax: +39 (0774) 353442

E-mail : info@elmacom.com Website : www.elmacom.com