



TECHNICAL BULLETIN

200-400 MHz RF AMPLIFIER 200W

E12769-01-04

Rev.A

Designed for wide-band high-power satellite communication in VHF-UHF range. This single unit amplifier provides 200W output power in the 200÷400MHz band; it also provides numerous control features and protections for: VSWR, internal modules current, Gain (AGC), temperature, output power. The unit can be settled in a 19" standard rack, supplied with 220VAC (or 115VAC) and remote controlled; a manual selector and text display are also provided to allow local control/setting. External RF/Supply/Control connectors and signals are customizable upon request, custom solutions for mechanical installation are also available.

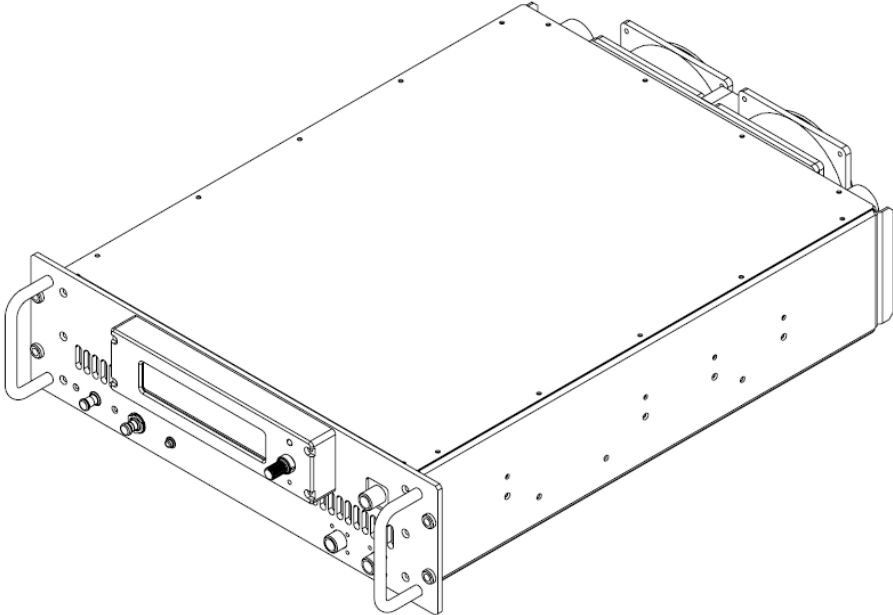
Electrical Characteristics @ T = 25 °C

Parameter	Values	Units	min/typ/max
Frequency Range	200÷400	MHz	
Input/Output Impedance	50 (nominal)	Ohm	
Output Power @ 1dB c.p.	200 @ 200MHz÷380MHz 160 @ 380MHz÷400MHz	W	min
Output Power @ saturation	250 @ 200MHz÷380MHz 200 @ 380MHz÷400MHz	W	min
Intermodulation products @ 291÷318 MHz (2 carriers@ 50W CW, Δf=1MHz)	-22	dBc	Max
Small Signal Gain	53	dB	
Small Signal Gain flatness	+/-1 @ 291MHz÷318MHz +/-1.5 @ 225MHz÷291MHz +/-1.5 @ 318MHz÷400MHz	dB	Max
Input VSWR	1.5 : 1		Max
RF Input	5	dBm	Max
Operating Temperature Range	-40 ÷ +55	°C	
Storage Temperature Range	-40 ÷ +85	°C	
Operating Humidity Range	95 (non condensing)	%	Max
Cooling System	Internal forced air		
AC Input	115 (60Hz,1KW) 220 (50Hz,1KW)	VAC	
Dimensions	132.6 x 465.5 x 550	mm	
Weight	25	kg	max

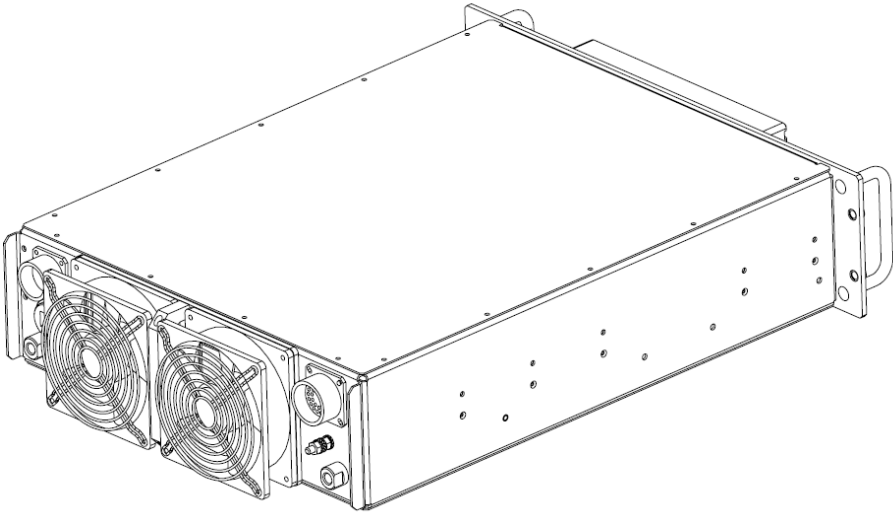
ELMACOM srl

Via delle Genziane s.n.c 00012 Guidonia, Rome - Italy
Phone: +39 (0774) 379296 Fax: +39 (0774) 353442
E-mail : info@elmacom.com Website : www.elmacom.com

OUTLINE DRAWING



Front View



Rear View